

SY75C

PRODUCT SPECIFICATIONS

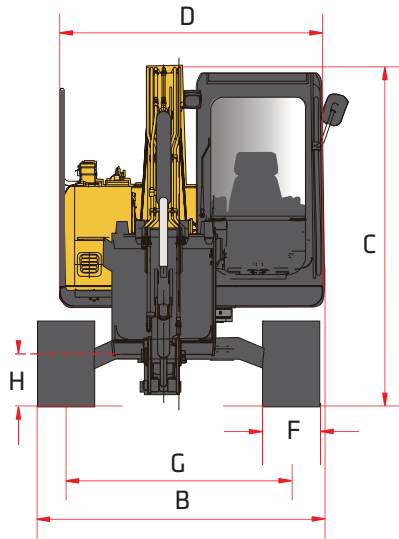
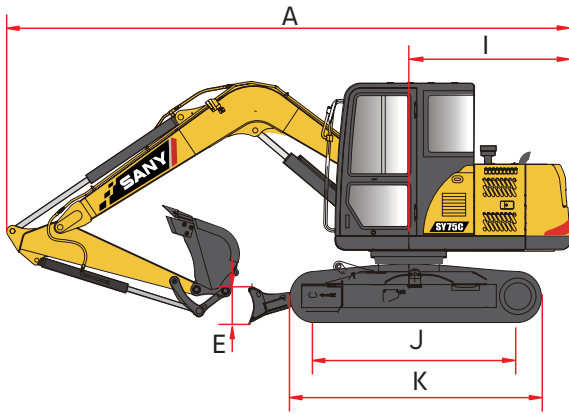


STANDARD FEATURES

- Powered by a reliable, efficient Isuzu T4F engine
- Equipped with joystick controlled, proportional, bi-directional auxiliary hydraulics
- Extra reinforcements in the boom, arm, swing platform and undercarriage increase stability and service life
- ➔ **Gross Power**
43.0 kW / 57.7 hp
- ➔ **Dig Depth**
4450 mm / 14' 7"
- ➔ **Operating Weight**
7280 kg / 16,050 lb
- ➔ **Bucket Breakout**
51.0 kN / 11,465 lbf

SY75C || PRODUCT SPECIFICATIONS

DIMENSIONS



DIMENSIONS

Boom Length	3720 mm	12' 2"
Stick (Arm) Length	2050 mm	6' 9"
A Transport Length	6125 mm	20' 1"
B Transport Width	2220 mm	7' 3"
C Transport Height	2720 mm	8' 11"
D Upper Structure Width	2040 mm	6' 8"
E Blade Height	405 mm	16"
F Track Width (standard shoe)	450 mm	18"
G Track Gauge	1750 mm	5' 9"
H Ground Clearance (minimum)	380 mm	15"
I Tail Swing Radius	1800 mm	5' 11"
J Track Length on Ground	2195 mm	7' 2"
K Track Length	2820 mm	9' 3"

Powered by a
reliable, efficient
Isuzu T4F engine

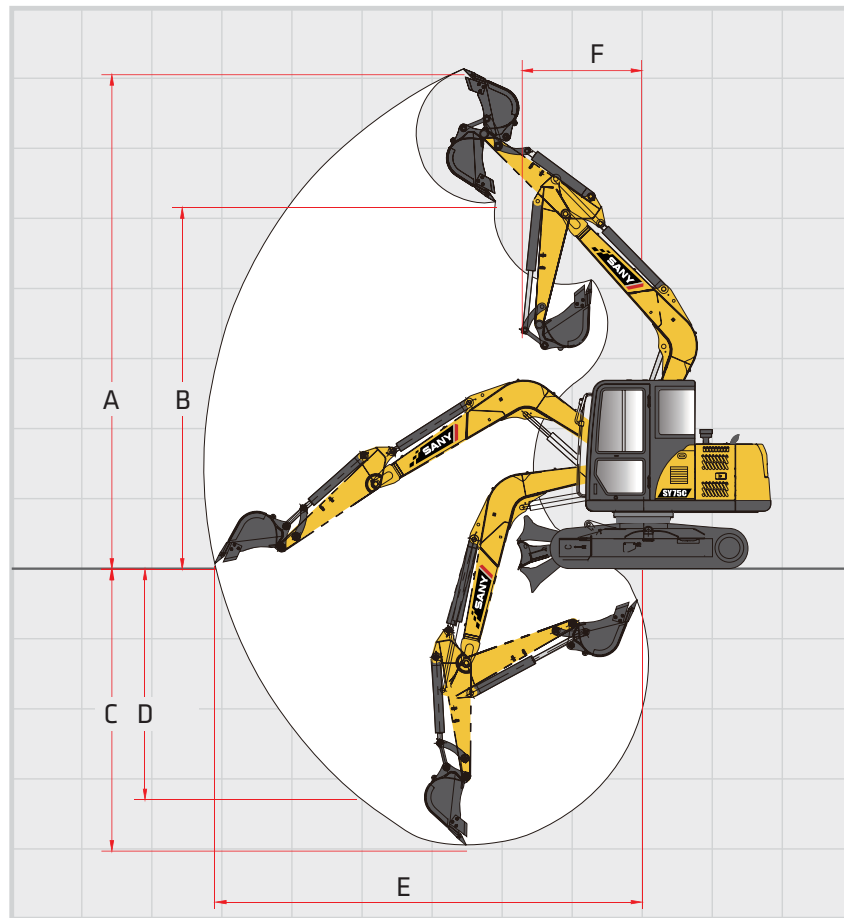
TECHNICAL SPECIFICATIONS

Operating Weight	7280 kg	16,050 lb
Ground Pressure	33.0 kPa	4.8 psi
Engine	Isuzu CP-4LE2XA3C-01	
Displacement	2.2 L	134.3 in ³
Gross Power	43.0 kW	57.7 HP
Hydraulics	Load Sensing with Pilot Control	
Main Hydraulic Pump	Axial Piston - Variable Displacement	
Operating Flow (maximum)	149.0 L/min	39.4 gal/min
Operating Pressure (maximum)	26.3 MPa	3814 psi
Travel Motor	Axial Piston with Park Brake	
Travel Pressure (maximum)	26.3 MPa	3814 psi
Travel Speeds (maximum)	2.8 / 5.3 km/hr	1.7 / 3.3 mph
Travel Effort (maximum)	56.8 kN	12,769 lbf
Grade Capability (maximum)	35°	
Swing Motor	Axial Piston with Swing Brake	
Swing Pressure (maximum)	21.6 MPa	3133 psi
Swing Speed (maximum)	10.5 RPM	
Undercarriage (standard)	Belted Rubber Track	
Track Shoe width (standard)	450 mm	18"
Track Rollers (per side)	5	
Carrier Rollers (per side)	1	

SERVICE REFILL CAPACITIES

Fuel Tank Capacity	150.0 L	39.6 gal
Hydraulic Tank Capacity	120.0 L	31.7 gal
Engine Oil Capacity	10.0 L	2.6 gal
Cooling System Capacity	10.8 L	2.9 gal

WORKING RANGE



WORKING RANGE

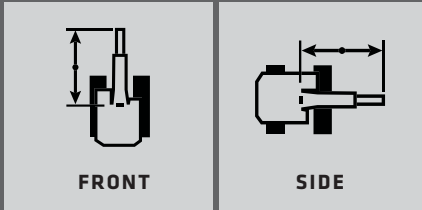
Boom Length	3720 mm	12' 2"
Stick (Arm) Length	2050 mm	6' 9"
A Maximum Digging Height	7390 mm	24' 3"
B Maximum Dumping Height	5490 mm	18' 0"
C Maximum Digging Depth	4450 mm	14' 7"
D Maximum Vertical Wall Digging Depth	3840 mm	12' 7"
E Maximum Reach at Ground Level	6505 mm	21' 4"
F Minimum Swing Radius	1940 mm	6' 4"

DIGGING PERFORMANCE

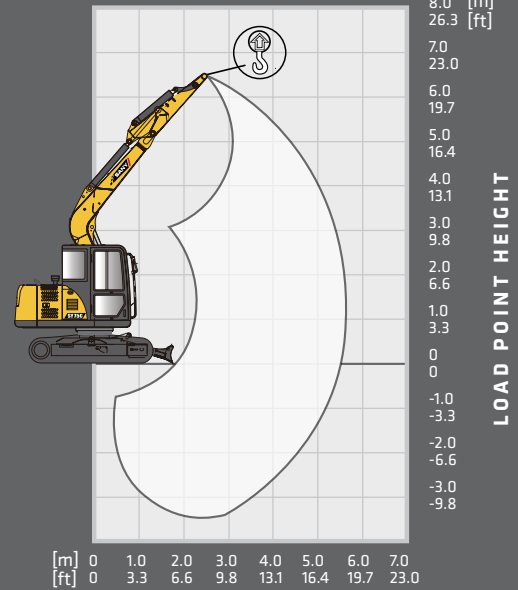
Boom Length	3720 mm	12' 2"
Stick (Arm) Length	2050 mm	6' 9"
Bucket Breakout Force (ISO)	51.0 kN	11,465 lbf
Stick (Arm) Digging Force (ISO)	30.4 kN	6,823 lbf

SY75C || LIFTING PERFORMANCE

Standard 3720 mm (12' 2") Boom
 Standard 2050 mm (6' 9") Arm
 Standard 450 mm (18") Track Shoes
 No Bucket



Ratings are based on ISO 10567:2007.
 Lift capacity does not exceed 75% of tipping load with the machine on firm, level ground or 87% of hydraulic lifting capacity.



LOAD RADIUS

BLADE DOWN

LOAD RADIUS	1.0 m 3.3 ft		2.0 m 6.6 ft		3.0 m 9.8 ft		4.0 m 13.1 ft		5.0 m 16.4 ft		MAX REACH	
LOAD POINT HEIGHT												
6.0 m 19.7 ft					1385 kg* 3,050 lb*	1385 kg* 3,050 lb*					1210 kg* 2,670 lb*	1210 kg* 2,670 lb*
5.0 m 16.4 ft							1350 kg* 2,975 lb*	1350 kg* 2,975 lb*			1020 kg* 2,250 lb*	1020 kg* 2,250 lb*
4.0 m 13.1 ft					1315 kg* 2,900 lb*	1315 kg* 2,900 lb*	1355 kg* 2,985 lb*	1355 kg* 2,985 lb*	1060 kg* 2,335 lb*	1060 kg* 2,335 lb*	950 kg* 2,095 lb*	950 kg* 2,095 lb*
3.0 m 9.8 ft			2100 kg* 4,650 lb*	2110 kg* 4,650 lb*	1710 kg* 3,770 lb*	1710 kg* 3,770 lb*	1535 kg* 3,385 lb*	1535 kg* 3,385 lb*	1460 kg* 3,220 lb*	1225 kg 2,700 lb	930 kg* 2,050 lb*	930 kg* 2,050 lb*
2.0 m 6.6 ft					2275 kg* 5,015 lb*	2275 kg* 5,015 lb*	1780 kg* 3,925 lb*	1660 kg 3,660 lb	1585 kg 3,495 lb	1190 kg 2,625 lb	950 kg* 2,095 lb*	950 kg* 2,095 lb*
1.0 m 3.3 ft					2790 kg 6,150 lb	2400 kg 5,290 lb	2065 kg* 4,550 lb*	1590 kg 3,305 lb	1715 kg* 3,780 lb*	1155 kg 2,545 lb	960 kg* 2,115 lb*	950 kg 2,095 lb
0 m 0 ft			2185 kg* 4,820 lb*	2185 kg* 4,820 lb*	3085 kg* 6,800 lb*	2315 kg 5,100 lb	2255 kg* 4,970 lb*	1530 kg 3,375 lb	1815 kg* 4,000 lb*	1125 kg 2,480 lb	1105 kg* 2,435 lb*	980 kg 2,160 lb
-1.0 m -3.3 ft	2105 kg* 4,640 lb*	2105 kg* 4,640 lb*	3405 kg* 7,500 lb*	3405 kg* 7,500 lb*	3138 kg 6,920 lb	2275 kg 5,015 lb	2315 kg* 5,105 lb*	1505 kg 3,320 lb	1805 kg* 3,980 lb*	1115 kg 2,460 lb	1300 kg* 2,870 lb*	1070 kg 2,360 lb
-2.0 m -6.6 ft	3415 kg* 7,528 lb*	3415 kg* 7,530 lb*	4260 kg* 9,390 lb*	4260 kg* 9,390 lb*	2955 kg* 6,515 lb*	2280 kg 5,025 lb	2180 kg* 4,805 lb*	1510 kg 3,330 lb			1680 kg* 3,705 lb*	1275 kg 2,810 lb
-3.0 m -9.8 ft			3440 kg* 7,583 lb*	3440 kg* 7,583 lb*	2395 kg* 5,280 lb*	2340 kg 5,160 lb					1885 kg* 4,155 lb*	1820 kg 4,010 lb

BLADE UP

6.0 m 19.7 ft					1385 kg* 3,050 lb*	1385 kg* 3,050 lb*					1210 kg* 2,670 lb*	1210 kg* 2,670 lb*
5.0 m 16.4 ft							1350 kg* 2,975 lb*	1350 kg* 2,975 lb*			1020 kg* 2,250 lb*	1020 kg* 2,250 lb*
4.0 m 13.1 ft					1315 kg* 2,900 lb*	1315 kg* 2,900 lb*	1355 kg* 2,985 lb*	1355 kg* 2,985 lb*	1060 kg* 2,335 lb*	1060 kg* 2,335 lb*	950 kg* 2,095 lb*	950 kg* 2,095 lb*
3.0 m 9.8 ft			2100 kg* 4,650 lb*	2110 kg* 4,650 lb*	1710 kg* 3,770 lb*	1710 kg* 3,770 lb*	1535 kg* 3,385 lb*	1535 kg* 3,385 lb*	1310 kg 2,890 lb	1225 kg 2,700 lb	930 kg* 2,050 lb*	930 kg* 2,050 lb*
2.0 m 6.6 ft					2275 kg* 5,015 lb*	2275 kg* 5,015 lb*	1780 kg* 3,925 lb*	1660 kg 3,660 lb	1275 kg 2,810 lb	1190 kg 2,625 lb	950 kg* 2,095 lb*	950 kg* 2,095 lb*
1.0 m 3.3 ft					2630 kg 5,800 lb	2400 kg 5,290 lb	1710 kg 3,770 lb	1590 kg 3,305 lb	1235 kg 2,722 lb	1155 kg 2,545 lb	960 kg* 2,115 lb*	950 kg 2,095 lb
0 m 0 ft			2185 kg* 4,820 lb*	2185 kg* 4,820 lb*	2540 kg 5,600 lb	2315 kg 5,100 lb	1655 kg 3,640 lb	1530 kg 3,375 lb	1205 kg 2,650 lb	1125 kg 2,480 lb	1050 kg 2,315 lb	980 kg 2,160 lb
-1.0 m -3.3 ft	2105 kg* 4,640 lb*	2105 kg* 4,640 lb*	3405 kg* 7,500 lb*	3405 kg* 7,500 lb*	2500 kg 5,510 lb	2275 kg 5,015 lb	1625 kg 3,580 lb	1505 kg 3,320 lb	1195 kg 2,635 lb	1115 kg 2,460 lb	1150 kg 2,535 lb	1070 kg 2,360 lb
-2.0 m -6.6 ft	3415 kg* 7,528 lb*	3415 kg* 7,528 lb*	4260 kg* 9,390 lb*	4260 kg* 9,390 lb*	2510 kg 5,530 lb	2280 kg 5,025 lb	1630 kg 3,590 lb	1510 kg 3,330 lb			1370 kg 3,020 lb	1275 kg 2,810 lb
-3.0 m -9.8 ft			3440 kg* 7,580 lb*	3440 kg* 7,580 lb*	2395 kg* 5,280 lb*	2340 kg 5,160 lb					1885 kg* 4,155 lb*	1820 kg 4,010 lb

* Indicates load limited by hydraulic lifting capacity